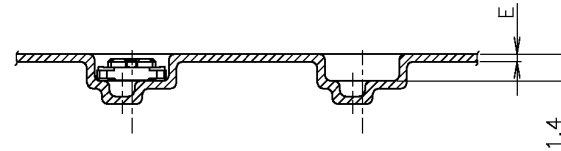
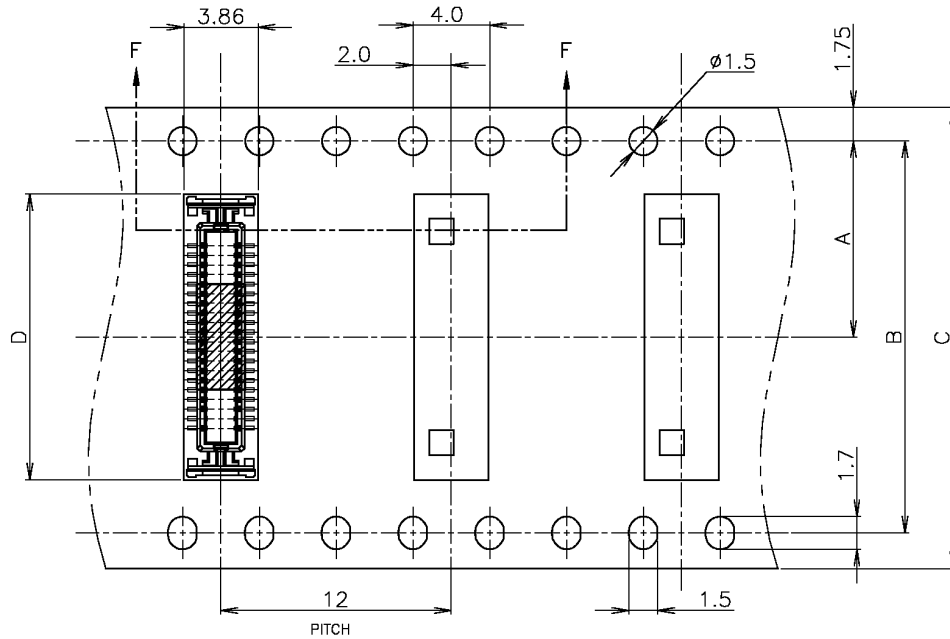


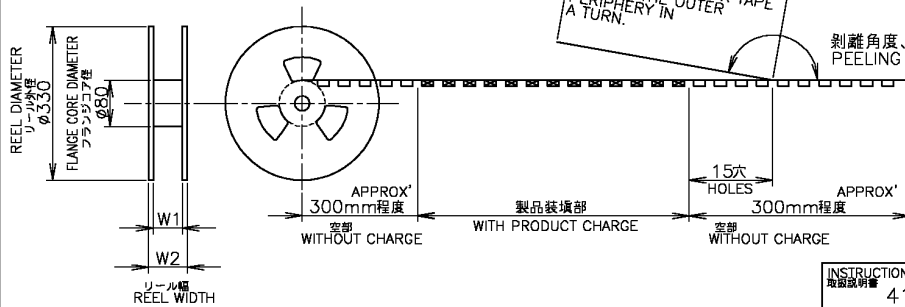
THIS DRAWING IS UNPUBLISHED. RELEASED FOR PUBLICATION AUG. 1996.

© COPYRIGHT 1996 BY TYCO ELECTRONICS CORPORATION. ALL RIGHTS RESERVED.

LOC	DIST	REVISIONS			
J		変更			
P	LTR	DESCRIPTION	DATE	DWN	APVD
D		REVISED FJBO-0324-03	30MAY03	H.H	T.K



引出し方向
TOP OF REEL →



カバーテープ
リーダー部
外周一巻
WEEDING THE COVER TAPE
AROUND THE OUTER
PERIPHERY IN
A TURN.

剥離角度、165°~180°
PEELING ANGLE.

鉛フリー
LEAD FREE

48.7	45.5	0.4	24.9	44	40.4	20.2	1500	80	8-353163-0	8-353164-0
48.7	45.5	0.4	22.4	44	40.4	20.2	1500	70	7-353163-5	7-353164-5
48.7	45.5	0.4	22.4	44	40.4	20.2	1500	70	7-353163-0	7-353164-0

INSTRUCTION SHEET 取組説明書 411-5781		DIMENSIONS		数量 (ヶ) QTY/REEL	極数 POS	コネクタ型番 (バラ状) CONNECTOR P/N (L/P)	リール巻 コネクタ型番 TAPING P/N
THIS DRAWING IS A CONTROLLED DOCUMENT.		DWN S.KAJINUMA 05JUN96	CHK K.ASAKAWA 20AUG96	APVD S.KUBOUCHI 20APR96		NAME 名称	
DIMENSIONS: 単位: 概 MM		TOLERANCES UNLESS OTHERWISE SPECIFIED: 一般公差		PRODUCT SPEC 製品規格 108-5546		ON TAPING (EMBOSS) 0.5mm PITCH FS CONN. TAB ASSEMBLY WITH FILM	
MATERIAL 材料		FINISH 仕上		SIZE A3	CAGE CODE 00779	DRAWING NO 番号 C=353164	RESTRICTED D
CUSTOMER DRAWING				SCALE 尺度 4:1	SHEET 1 OF 2	REV D	

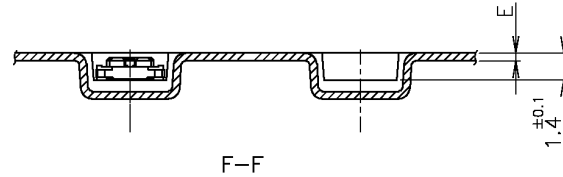
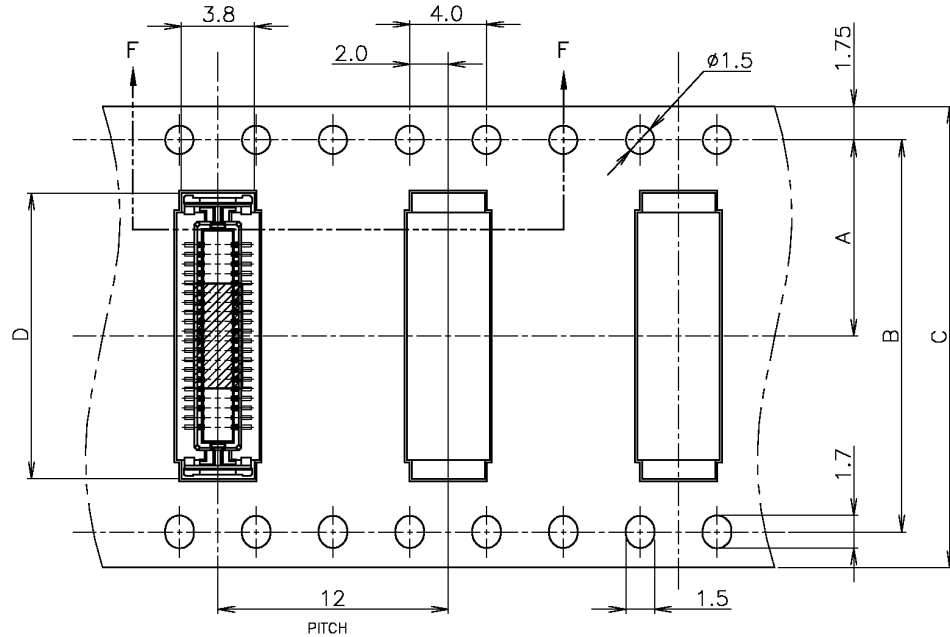
AMP 1470-19 REV 31MAR2000

21AUG02 3:50pm

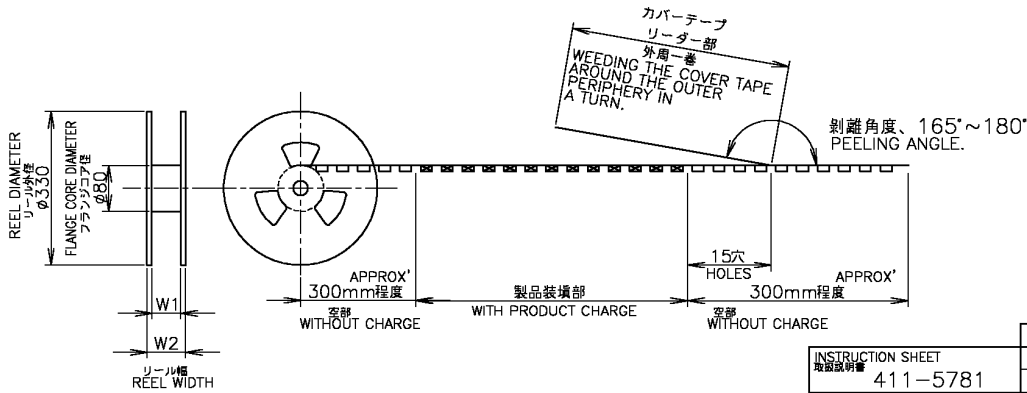
THIS DRAWING IS UNPUBLISHED. RELEASED FOR PUBLICATION AUG. 1996.

© COPYRIGHT 1996 BY TYCO ELECTRONICS CORPORATION. ALL RIGHTS RESERVED.

LOC	DIST	REVISIONS			
J		変更	DESCRIPTION	DATE	DWN
P	LTR	SEE SHEET 1	SEE SHEET 1 OF 2		APVD
-	-	-	-	-	-



引出し方向
TOP OF REEL →



鉛フリー
LEAD FREE

INSTRUCTION SHEET 取組説明書 411-5781		37.5	33.5	0.4	19.85	32	28.4	14.2	1500	60	6-353163-0	6-353164-0
THIS DRAWING IS A CONTROLLED DOCUMENT.		W2	W1	E	D	C	B	A	数量 (ヶ) QTY/REEL	極数 POS	コネクタ型番 (パラメ) CONNECTOR P/N (L/P)	リール巻 コネクタ型番 TAPING P/N
DIMENSIONS: 単位: 概 MM		TOLERANCES UNLESS OTHERWISE SPECIFIED: 一般公差		DWN S.KAJINUMA 20APR98		CHK K.ASAKAWA 20APR98		APVD S.KUBOUCHI 20APR98		tyco Electronics Tyco Electronics AMP K.K. Kawasaki, Japan		
MATERIAL 材料		FINISH 仕上		PRODUCT SPEC 製品規格 108-5546		APPLICATION SPEC 取付適用規格		WEIGHT		ON TAPING (EMBOSS) 0.5mm PITCH FS CONN. TAB ASSEMBLY WITH FILM		
CUSTOMER DRAWING		SIZE A3		CAGE CODE 00779		DRAWING NO 353164		RESTRICTED NO		SCALE 尺度 4:1		
		SHEET 2		OF 2		REV D						